



C·V·L



**APPLIQUES SALLE DE BAIN
BATHROOM WALL LIGHTS**

2026



IP BACKSTAGE



Finitions Finishes

Détails page 287

● Laiton satiné SB Satin brass	● Graphite satiné SG Satin graphite	● Nickel satiné SN Satin nickel	● Cuivre satiné SC Satin copper	● Bronze BZ Bronze
● Laiton poli PB Polished brass	● Graphite poli PG Polished graphite	● Nickel poli PN Polished nickel	● Cuivre poli PC Polished copper	

Matériaux Materials

Laiton massif Solid Brass	Verre triplex opale soufflé bouche Opal triplex mouth-blown glass
------------------------------	--

Source Lamping

Valeurs nominales
Nominal values

IP Backstage 4					
LED intégrée	520 lm	3 000°K	5W	Alimentation 24V intégrée	Non variable en standard
Integrated LED	520 lm	3 000°K	5W	Int. power supply 24V incl.	Standard version not dim.
IP Backstage 6					
LED intégrée	780 lm	3 000°K	7W	Alimentation 24V intégrée	Non variable en standard
Integrated LED	780 lm	3 000°K	7W	Int. power supply 24V incl.	Standard version not dim.
IP Backstage 8					
LED intégrée	1040 lm	3 000°K	9W	Alimentation 24V intégrée	Non variable en standard
Integrated LED	1040 lm	3 000°K	9W	Int. power supply 24V incl.	Standard version not dim.
IP Backstage Corner 4					
LED intégrée	520 lm	3 000°K	5W	Alimentation 24V intégrée	Non variable en standard
Integrated LED	520 lm	3 000°K	5W	Int. power supply 24V incl.	Standard version not dim.
IP Backstage Corner 6					
LED intégrée	780 lm	3 000°K	7W	Alimentation 24V intégrée	Non variable en standard
Integrated LED	780 lm	3 000°K	7W	Int. power supply 24V incl.	Standard version not dim.
IP Backstage Corner 8					
LED intégrée	1040 lm	3 000°K	9W	Alimentation 24V intégrée	Non variable en standard
Integrated LED	1040 lm	3 000°K	9W	Int. power supply 24V incl.	Standard version not dim.

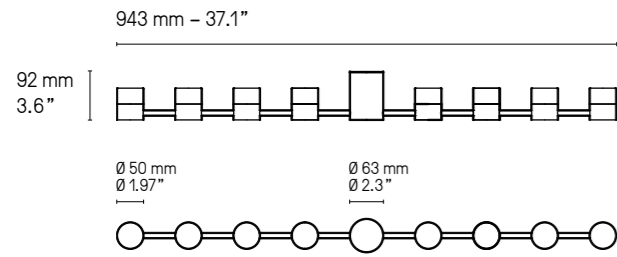
Norme Standard

IP44	Classe II
IP44	Class II

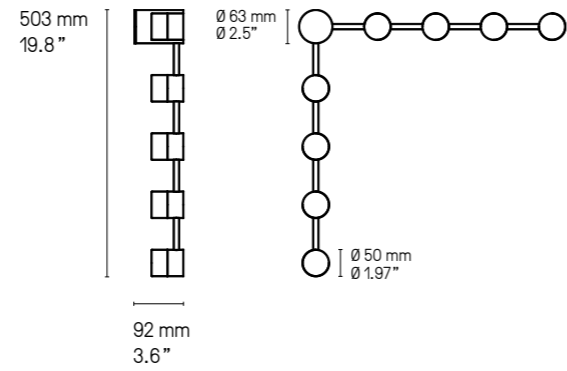
Designer

Émilie Cathelineau

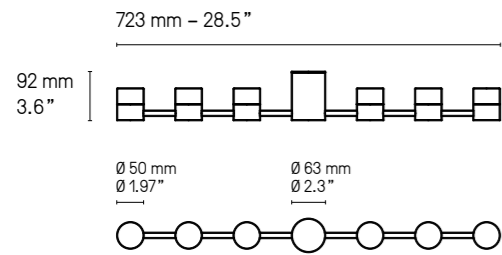
IP Backstage Linear L8



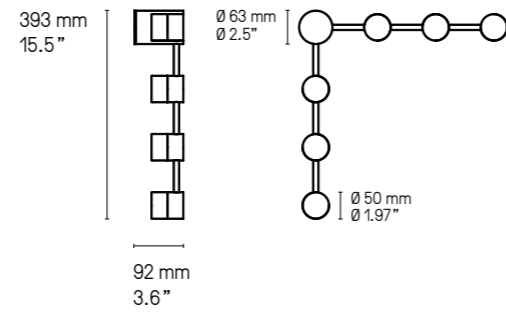
IP Backstage Corner C8



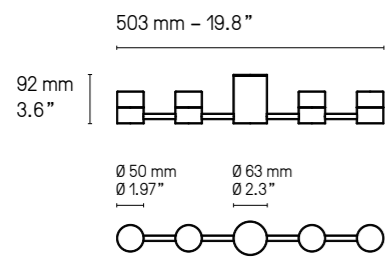
IP Backstage Linear L6



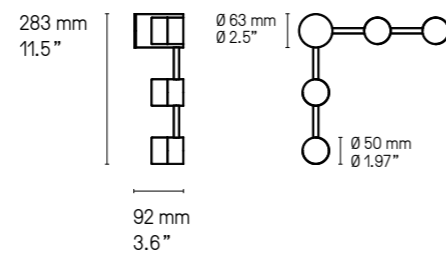
IP Backstage Corner C6



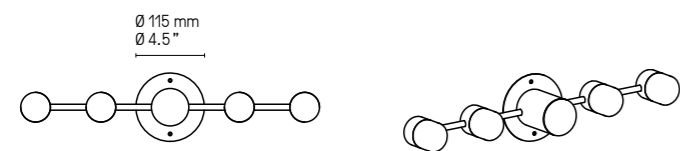
IP Backstage Linear L4



IP Backstage Corner C4



**US Version
fitted plate to cover outlet power box**





IP Backstage Corner C8 SG



IP Backstage Linear L6 PN



IP Backstage Linear L4 SB



IP Backstage Linear L6 SG



IP Backstage Corner C8 PB



IP CALÉ(E)



Finitions Finishes ①+②

Détails page 287

● Laiton satiné SB Satin brass	● Graphite satiné SG Satin graphite	● Nickel satiné SN Satin nickel	● Cuivre satiné SC Satin copper	● Bronze BZ Bronze
● Laiton poli PB Polished brass	● Graphite poli PG Polished graphite	● Nickel poli PN Polished nickel	● Cuivre poli PC Polished copper	

Matériaux Materials

Laiton massif Solid Brass	Diffuseur polycarbonate satiné Satin Polycarbonate diff user
------------------------------	---

Source Lamping

Valeurs nominales
Nominal values

LED intégrée Integrated LED	880 lm	3 000°K	10W	Alimentation 24V intégrée Int. power supply 24V incl.	Variable (phase cut) Dimmable (phase cut)
--------------------------------	--------	---------	-----	--	--

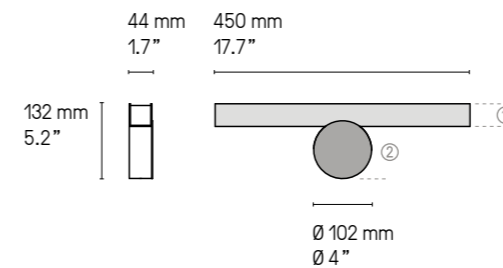
Norme Standard

IP44	Classe II
IP44	Class II

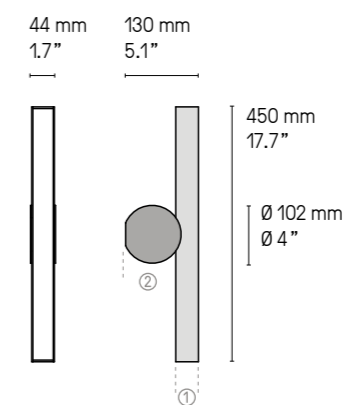
Designer

POOL

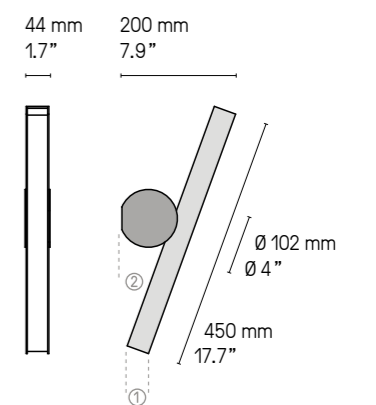
VH



VV



VF



Les appliques Calé(e)s ne sont pas réglables. Ce sont 3 modèles différents.
Calé(e) wall lights are not mobile. These are 3 different fixed models.



IP CORNET



Finitions Finishes

Détails page 287

● Laiton satiné SB Satin brass	● Graphite satiné SG Satin graphite	● Nickel satiné SN Satin nickel	● Cuivre satiné SC Satin copper	● Bronze BZ Bronze
● Laiton poli PB Polished brass	● Graphite poli PG Polished graphite	● Nickel poli PN Polished nickel	● Cuivre poli PC Polished copper	

Matériaux Materials

Laiton massif Solid Brass	Verre triplex opale soufflé bouche Opal triplex mouth-blown glass
------------------------------	--

Source Lamping

G9 LED 5W max. non fournie G9 LED 5W max. not included	Variable* Dimmable*
---	------------------------

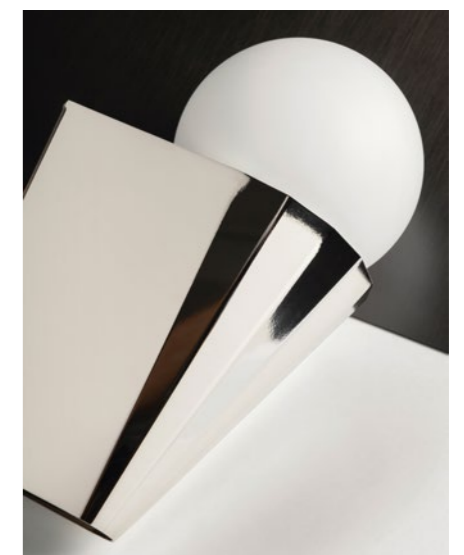
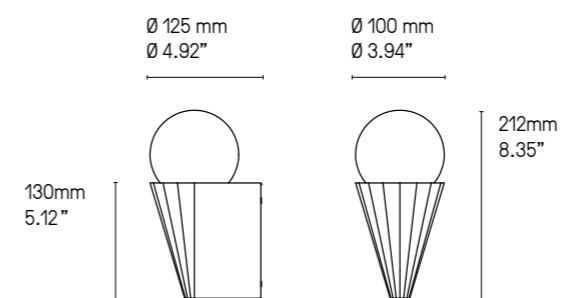
Norme Standard

IP24	Classe II
IP24	Class II

Designer

POOL

* Les luminaires variables nécessitent l'utilisation d'ampoules compatibles avec la variation.
All dimmable light fixtures require the use of compatible bulbs.



IP Cornet PN



IP GAMMA



Finitions Finishes

Détails page 287

● Laiton satiné SB Satin brass	● Graphite satiné SG Satin graphite	● Nickel satiné SN Satin nickel	● Cuivre satiné SC Satin copper	● Bronze BZ Bronze
● Laiton poli PB Polished brass	● Graphite poli PG Polished graphite	● Nickel poli PN Polished nickel	● Cuivre poli PC Polished copper	

Matériaux Materials

Laiton massif Solid Brass	Diffuseur polycarbonate blanc White Polycarbonate diff user
------------------------------	--

Source Lamping

Valeurs nominales
Nominal values

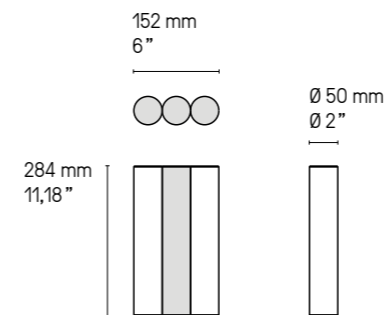
LED intégrée Integrated LED	500 lm 500 lm	3000°K 8W 3000°K 8W	Alimentation 24V intégrée Int. power supply 24V incl.	Non variable en standard Standard version not dim.
--------------------------------	------------------	------------------------	--	---

Norme Standard

IP44	Classe II
IP44	Class II

Designer

Sylvain Willenz



IP Gamma SB

IP Gamma SG

IP Gamma SN

IP Gamma SC



IP JANED



Finitions Finishes ①+②

Détails page 287

● Laiton satiné SB Satin brass	● Graphite satiné SG Satin graphite	● Nickel satiné SN Satin nickel	● Cuivre satiné SC Satin copper	● Bronze BZ Bronze
● Laiton poli PB Polished brass	● Graphite poli PG Polished graphite	● Nickel poli PN Polished nickel	● Cuivre poli PC Polished copper	

Matériaux Materials

Laiton massif Solid Brass	Verre triplex opale Opal triplex glass
------------------------------	---

Source Lamping

G9 LED 5W max. non fournie G9 LED 5W max. not included	Variable* Dimmable*
---	------------------------

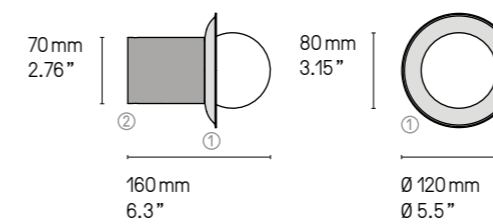
Norme Standard

IP44	Classe II
IP44	Class II

Designer

Émilie Cathelineau

* Les luminaires variables nécessitent l'utilisation d'ampoules compatibles avec la variation.
All dimmable light fixtures require the use of compatible bulbs.



IP Janed 160 SG



IP Janed 160 SN



IP LINK



Finitions Finishes

Détails page 287

● Laiton satiné SB Satin brass	● Graphite satiné SG Satin graphite	● Nickel satiné SN Satin nickel	● Cuivre satiné SC Satin copper	● Bronze BZ Bronze
● Laiton poli PB Polished brass	● Graphite poli PG Polished graphite	● Nickel poli PN Polished nickel	● Cuivre poli PC Polished copper	

Matériaux Materials

Laiton massif Solid Brass	Diffuseur polycarbonate satiné Satin Polycarbonate diffuser	Ruban Led sans points visibles Led strip without visible dots
------------------------------	--	--

Source Lamping

Valeurs nominales
Nominal values

IP Link 410 (410 mm - 16.1")				
LED intégrée	160 lm	3 000°K	2W	Alimentation 24V intégrée Int. power supply 24V incl.
Integrated LED	160 lm	3 000°K	2W	Non variable en standard Standard version not dim.
IP Link 580 (580 mm - 22.8")				
LED intégrée	330 lm	3 000°K	4W	Alimentation 24V intégrée Int. power supply 24V incl.
Integrated LED	330 lm	3 000°K	4W	Non variable en standard Standard version not dim.
IP Link double 610 (610 mm - 24.1")				
LED intégrée	320 lm	3 000°K	4W	Alimentation 24V intégrée Int. power supply 24V incl.
Integrated LED	320 lm	3 000°K	4W	Non variable en standard Standard version not dim.
IP Link double 960 (960 mm - 37.8")				
LED intégrée	660 lm	3 000°K	7W	Alimentation 24V intégrée Int. power supply 24V incl.
Integrated LED	660 lm	3 000°K	7W	Non variable en standard Standard version not dim.
IP Link double 1300 (1300 mm - 51.2")				
LED intégrée	880 lm	3 000°K	10W	Alimentation 24V intégrée Int. power supply 24V incl.
Integrated LED	880 lm	3 000°K	10W	Non variable en standard Standard version not dim.

Norme Standard

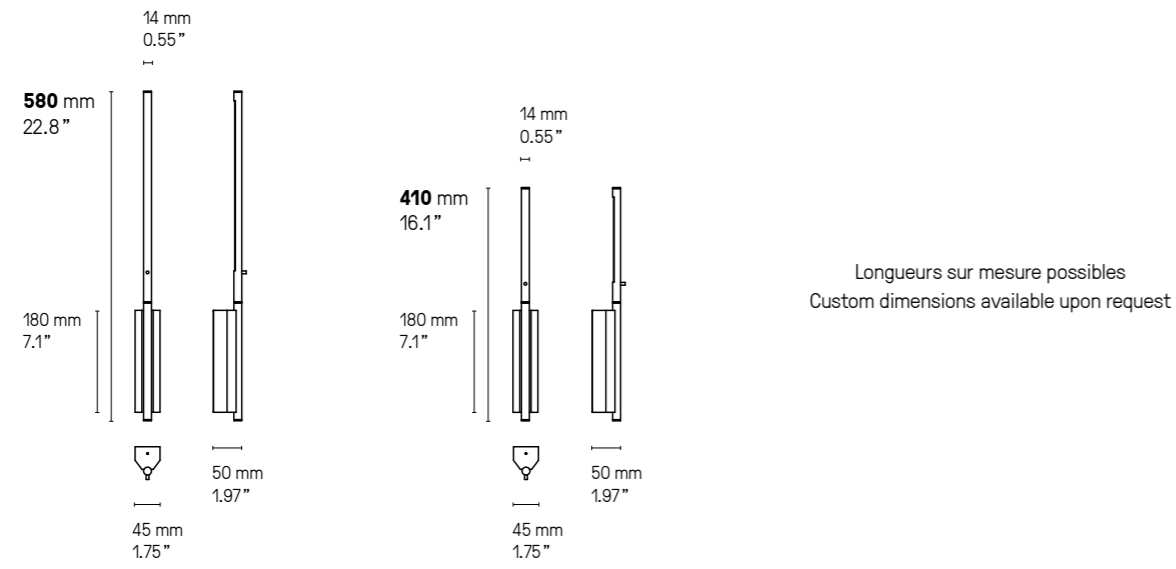
For UL and Damp versions,
please refer to page 146

IP44	Classe II
IP44	Class II

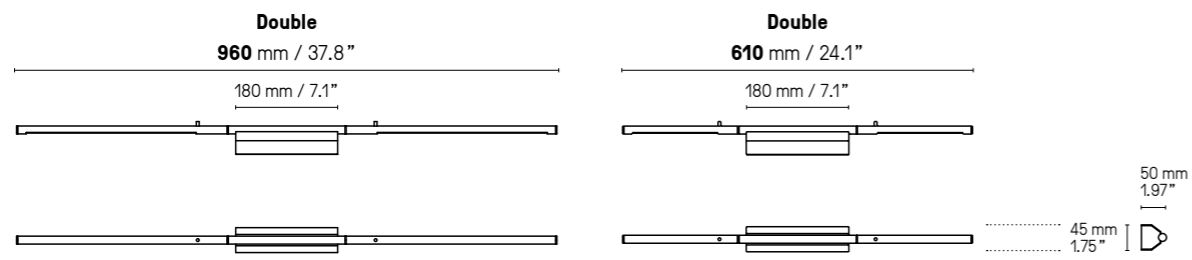
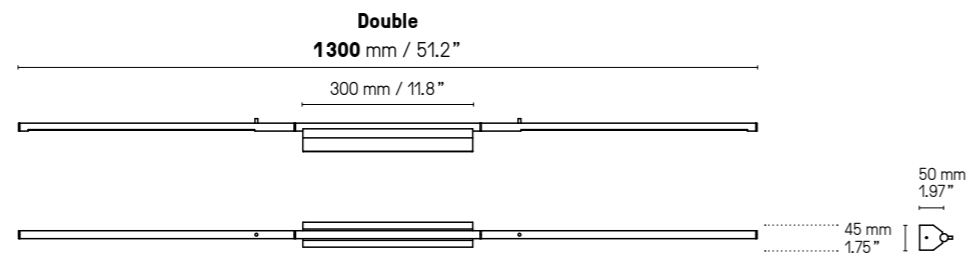
Norme Standard

Designer

Émilie Cathelineau



Longueurs sur mesure possibles
Custom dimensions available upon request



IP Link Double 960 PG



IP Link 410 SB



IP METROP



Finitions Finishes ①+②

Détails page 287

● Laiton satiné SB Satin brass	● Graphite satiné SG Satin graphite	● Nickel satiné SN Satin nickel	● Cuivre satiné SC Satin copper	● Bronze BZ Bronze
● Laiton poli PB Polished brass	● Graphite poli PG Polished graphite	● Nickel poli PN Polished nickel	● Cuivre poli PC Polished copper	

Matériaux Materials

Laiton massif Solid Brass	Diffuseur polycarbonate satiné Satin Polycarbonate diffuser	Ruban Led sans points visibles Led strip without visible dots
------------------------------	--	--

Source Lamping

Valeurs nominales
Nominal values

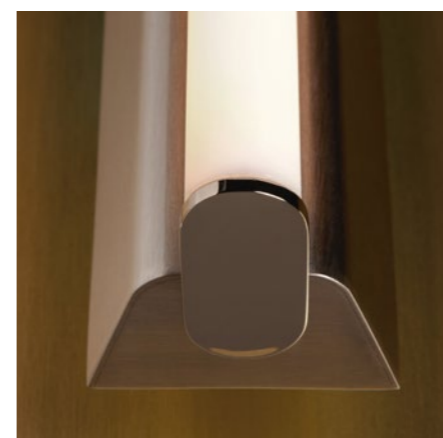
IP Metrop 325					
LED intégrée	330 lm	3 000°K	4W	Alimentation 24V intégrée	Non variable en standard
Integrated LED	330 lm	3 000°K	4W	Int. power supply 24V incl.	Standard version not dim.
IP Metrop 525					
LED intégrée	550 lm	3 000°K	7W	Alimentation 24V intégrée	Non variable en standard
Integrated LED	550 lm	3 000°K	7W	Int. power supply 24V incl.	Standard version not dim.
IP Metrop 780					
LED intégrée	825 lm	3 000°K	9W	Alimentation 24V intégrée	Non variable en standard
Integrated LED	825 lm	3 000°K	9W	Int. power supply 24V incl.	Standard version not dim.

Norme Standard

IP44	Classe II
IP44	Class II

Designer

Émilie Cathelineau



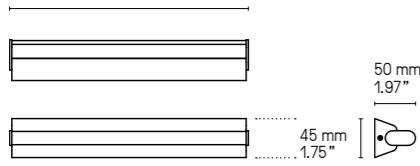
IP Metrop SG/PG



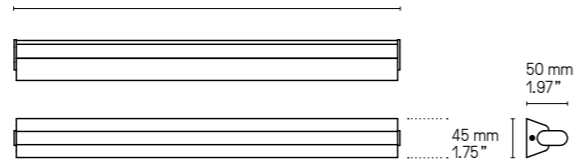
IP Metrop SB/SG

IP Metrop

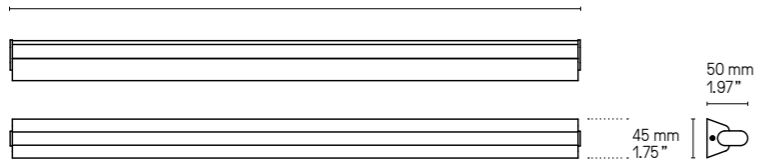
325 mm
12.8"



525 mm
20.7"



780 mm
30.7"



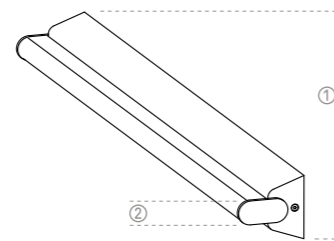
Longueurs sur mesure possibles
Custom dimensions available upon request



IP Metrop 325 PB



IP Metrop 325 SG



IP Metrop 325 SN/SG

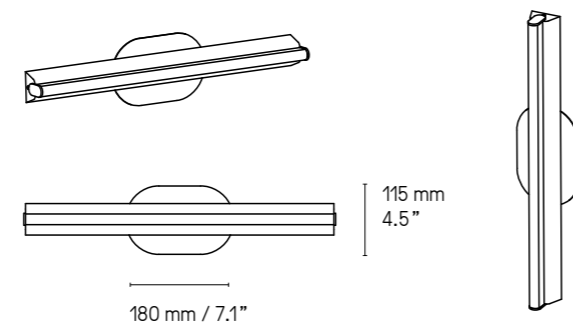


IP Metrop 325 PN



IP Metrop 325 PC

US Version
fitted plate to cover outlet power box



IP Metrop SB/SG

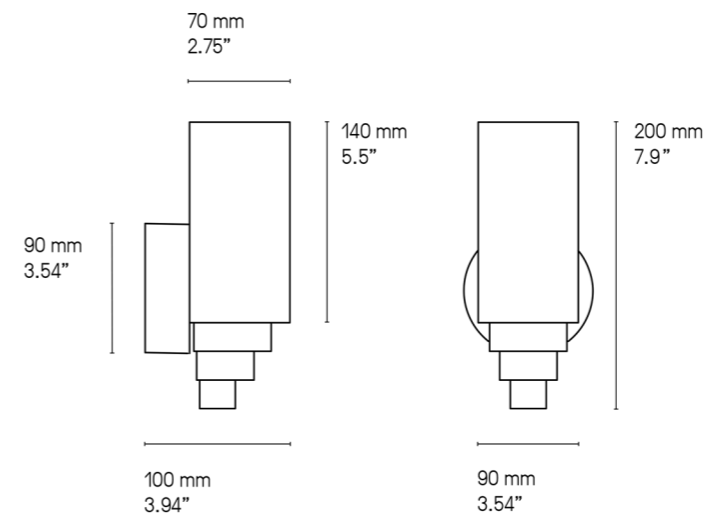


IP SCALA



Finitions Finishes <small>Détails page 287</small>	● Laiton satiné SB Satin brass	● Graphite satiné SG Satin graphite	● Nickel satiné SN Satin nickel	● Cuivre satiné SC Satin copper	● Bronze BZ Bronze
	● Laiton poli PB Polished brass	● Graphite poli PG Polished graphite	● Nickel poli PN Polished nickel	● Cuivre poli PC Polished copper	
Matériaux Materials	Laiton massif Solid brass		Diffuseur polycarbonate Polycarbonate diffuser		
Source Lamping	Applique – Wall light G9 LED 5W max. non fournie G9 LED 5W max. not included		Variation* Dimmable*		
Norme Standard	IP44 IP44	Classe II Class II			
Designer	Émilie Cathelineau				

* Les luminaires variables nécessitent l'utilisation d'ampoules compatibles avec la variation.
All dimmable light fixtures require the use of compatible bulbs.



IP Scala PN



IP SIGNAL



Finitions Finishes

Détails page 287

● Laiton satiné SB Satin brass	● Graphite satiné SG Satin graphite	● Nickel satiné SN Satin nickel	● Cuivre satiné SC Satin copper	● Bronze BZ Bronze
● Laiton poli PB Polished brass	● Graphite poli PG Polished graphite	● Nickel poli PN Polished nickel	● Cuivre poli PC Polished copper	

Matériaux Materials

Laiton massif Solid Brass	Diffuseur polycarbonate satiné Satin Polycarbonate diffuser
------------------------------	--

Source Lamping

Valeurs nominales
Nominal values

IP Signal 375 (375 mm - 14.8")			
LED intégrée 280 lm 3000°K 5W	Alimentation 24 V intégrée		Variable (phase cut)
Integrated LED 280 lm 3000°K 5W	Int. power supply 24 V included		Dimmable (phase cut)
IP Signal 475 (475 mm - 18.7")			
LED intégrée 480 lm 3000°K 8W	Alimentation 24 V intégrée		Variable (phase cut)
Integrated LED 480 lm 3000°K 8W	Int. power supply 24 V included		Dimmable (phase cut)
IP Signal 575 (575 mm - 22.6")			
LED intégrée 670 lm 3000°K 10W	Alimentation 24 V intégrée		Variable (phase cut)
Integrated LED 670 lm 3000°K 10W	Int. power supply 24 V included		Dimmable (phase cut)
IP Signal double 580 (580 mm - 22.8")			
LED intégrée 570 lm 3000°K 9W	Alimentation 24 V intégrée		Variable (phase cut)
Integrated LED 570 lm 3000°K 9W	Int. power supply 24 V included		Dimmable (phase cut)
IP Signal double 780 (780 mm - 30.7")			
LED intégrée 960 lm 3000°K 14W	Alimentation 24 V intégrée		Variable (phase cut)
Integrated LED 960 lm 3000°K 14W	Int. power supply 24 V included		Dimmable (phase cut)
IP Signal double 980 (980 mm - 38.6")			
LED intégrée 1340 lm 3000°K 19W	Alimentation 24 V intégrée		Variable (phase cut)
Integrated LED 1340 lm 3000°K 19W	Int. power supply 24 V included		Dimmable (phase cut)

Norme Standard

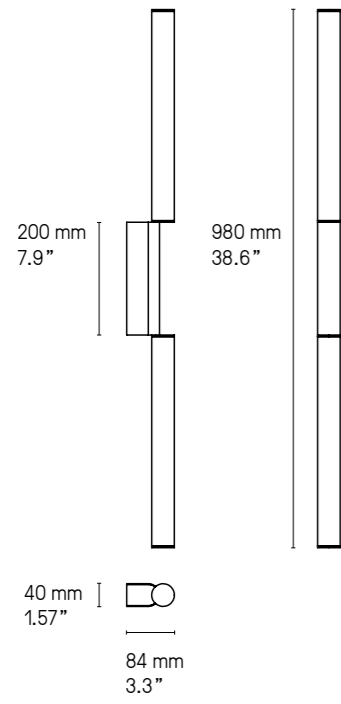
For UL and Damp versions,
please refer to page 210

IP44	Classe II
IP44	Class II

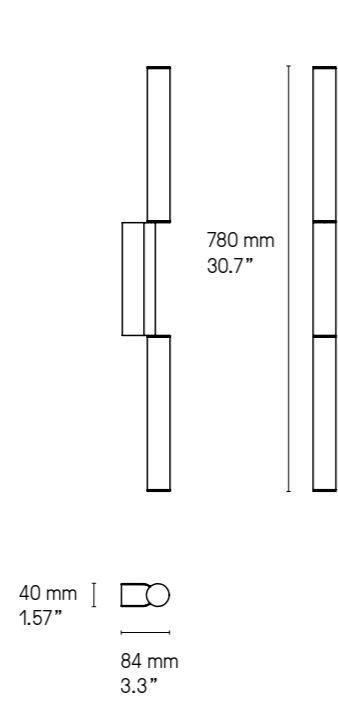
Designer

Pauline Deltour

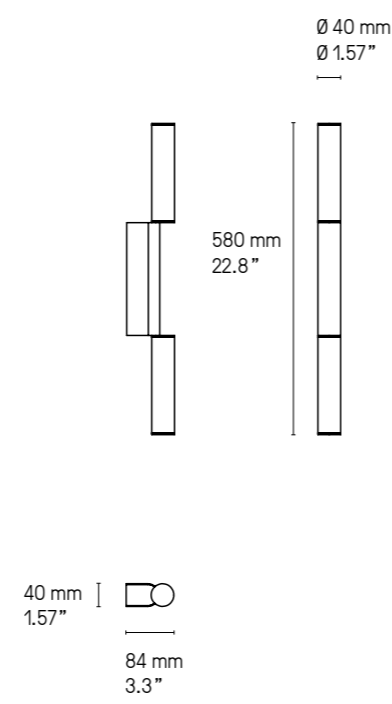
IP Signal double 980



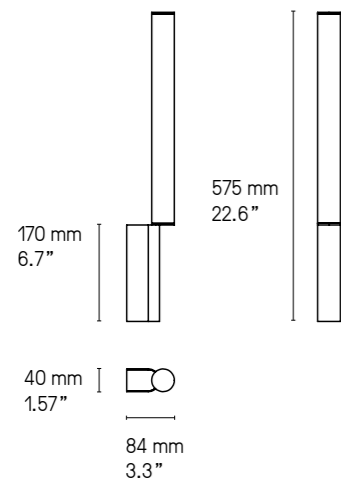
IP Signal double 780



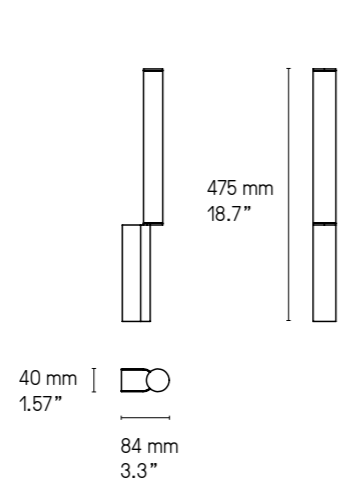
IP Signal double 580



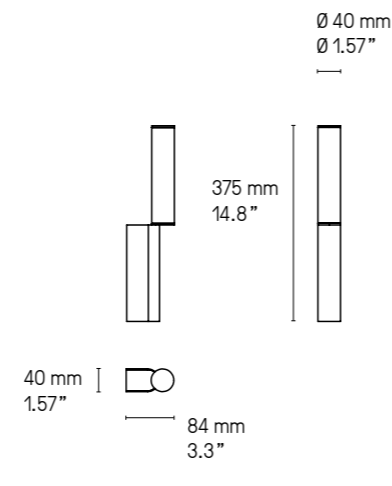
IP Signal simple 575



IP Signal simple 475



IP Signal simple 375



IP Signal Double 980 SN



IP Signal Simple 475 PN



IP Signal Simple 475 PB

*Signal peut être installée horizontalement ou verticalement.
Signal can be placed both horizontally or vertically on the wall.*



IP STORM



Finitions Finishes

Détails page 287

● Laiton satiné SB Satin brass	● Graphite satiné SG Satin graphite	● Nickel satiné SN Satin nickel	● Cuivre satiné SC Satin copper	● Bronze BZ Bronze
● Laiton poli PB Polished brass	● Graphite poli PG Polished graphite	● Nickel poli PN Polished nickel	● Cuivre poli PC Polished copper	

Matériaux Materials

Laiton massif Solid Brass	Diffuseur polycarbonate blanc White Polycarbonate diffuser
------------------------------	---

Source Lamping

Valeurs nominales
Nominal values

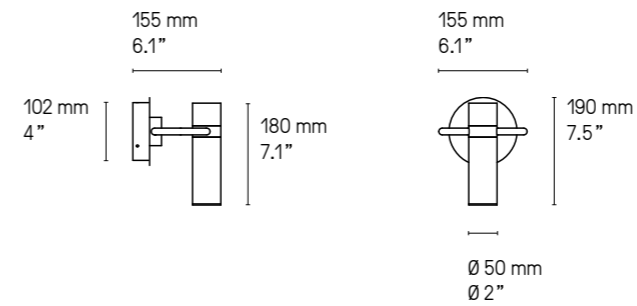
LED intégrée Integrated LED	440 lm	3 000°K	5W	Alimentation 24V intégrée Int. power supply 24V incl.	Non variable en standard Standard version not dim.
--------------------------------	--------	---------	----	--	---

Norme Standard

IP44	Classe II
IP44	Class II

Designer

Émilie Cathelineau



IP Storm SB



NUANCIER - FINISH OPTIONS



LAITON - BRASS

- | | | | | |
|------------------------------------|---|-------------------------------------|-------------------------------------|-----------------------|
| ① Laiton satiné
SB Satin brass | ② Graphite satiné
SG Satin graphite | ③ Nickel satiné
SN Satin nickel | ④ Cuivre satiné
SC Satin copper | ⑨ Bronze
BZ Bronze |
| ⑤ Laiton poli
PB Polished brass | ⑥ Graphite poli
PG Polished graphite | ⑦ Nickel poli
PN Polished nickel | ⑧ Cuivre poli
PC Polished copper | |

ABAT-JOURS - LAMPSHADES



Drop Paper® 100 Drop Paper® 101 Chinette blanche
White chinette Chinette noire
Black chinette Lin
Linen

AUTRES - OTHERS



MA Marbre
Marble NO Noyer
Walnut TW Bois Toasté
Toasted wood BW Bois brûlé
Burnt wood

VERRERIE - GLASS



Opale
Opal Opale et écaille
Opal and patterned Claire et écaille
Clear and patterned

CÂBLES - CABLES



Tissu noir
Black textile Tissu or
Gold textile

