



SOLITAIRE

DESIGNED BY ÉMILIE CATHELINÉAU

Ce lampadaire trépied, rehaussé d'un abat-jour à facettes, courtise le bicolore. Personnalisable à souhait, cette pièce unique s'approprie avec élégance vos choix de finitions.



This three-legged floor lamp, enhanced by a faceted lampshade, is even more flattering in a two-tone finish. This unique piece, which can be customized, elegantly blends together with your choice of finishes.



Solitaire XL SG/SC

© CVL

Finitions
Finishes

① + ②

● Laiton satiné
SB Satin brass

● Graphite satiné
SG Satin graphite

● Nickel satiné
SN Satin nickel

● Cuivre satiné
SC Satin copper

● Bronze
BZ Bronze

[Nuancier – Finish options](#)

● Laiton poli
PB Polished brass

● Graphite poli
PG Polished graphite

● Nickel poli
PN Polished nickel

● Cuivre poli
PC Polished copper

Abat-jour
Lampshade

■ Chinette noire
Black chinette

□ Chinette blanche
White chinette

Matériaux
Materials

Laiton massif
Solid Brass

Abat-jour tissu
Textile lampshade

Câble textile noir (longueur ≈ 1.5 m)
Black textile cable (length ≈ 59")

Source
Lamping

1 x E27 LED 20W max. non fournie
1 x E27 LED 20W max. not included

Variateur à pied
Foot operated dimmer

Variation*
Dimming*

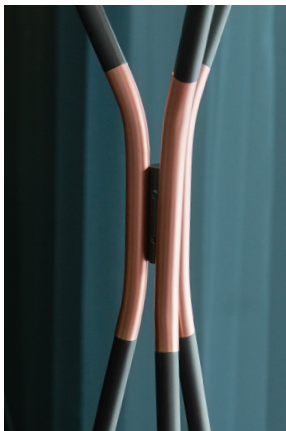
 1 x E26 type A 150W. Bulb not included

Foot operated switch

Designer

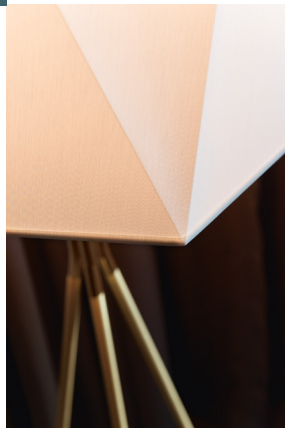
Émilie Cathelineau

* Les luminaires variables nécessitent l'utilisation d'ampoules compatibles avec la variation.
All dimmable light fixtures require the use of compatible bulbs.



Solitaire XS SB/PB

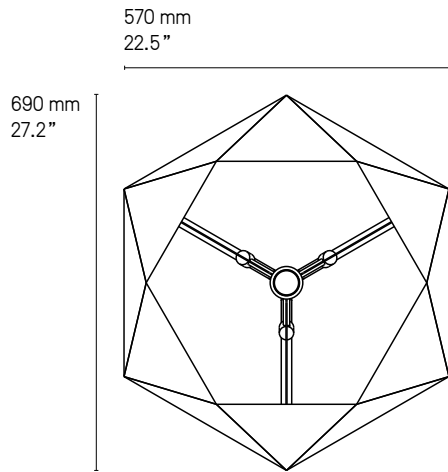
Solitaire XL SG/SC



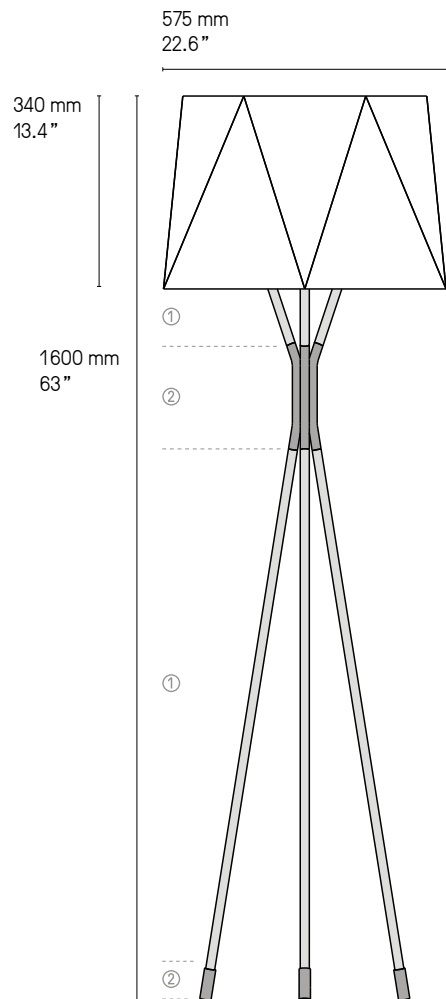
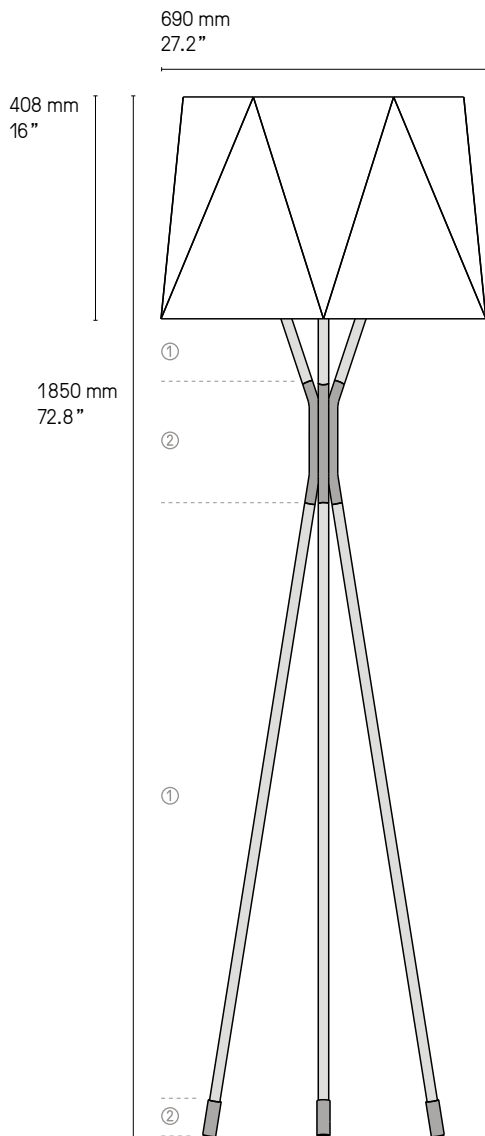
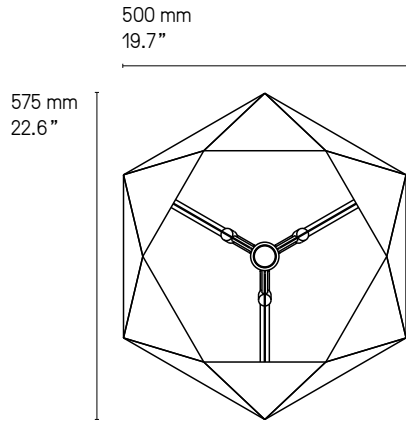
Solitaire XS SB/PB

© CVL

Solitaire XL



Solitaire XS



Version LED et DALI sur demande.
LED and DALI version upon request.

NUANCIER - FINISH OPTIONS 2026



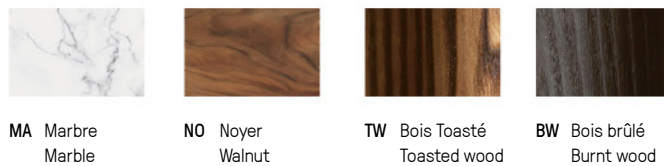
LAITON - BRASS

① Laiton satiné SB Satin brass	② Graphite satiné SG Satin graphite	③ Nickel satiné SN Satin nickel	④ Cuivre satiné SC Satin copper	⑨ Bronze BZ Bronze
⑤ Laiton poli PB Polished brass	⑥ Graphite poli PG Polished graphite	⑦ Nickel poli PN Polished nickel	⑧ Cuivre poli PC Polished copper	

ABAT-JOURS - LAMPSHADES



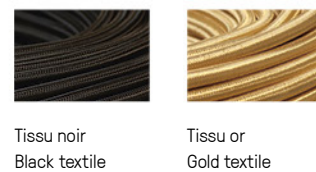
AUTRES - OTHERS



VERRERIE - GLASS



CÂBLES - CABLES



TEL. +33 (0) 2 41 32 67 54 EMAIL : CONTACT@CVL-LUMINAIRES.FR

WWW.CVL-LUMINAIRES.FR